

Assembling adapter card for tower or rack systems

Package contents

Check your package for the following items:

- 1 x Mylar
- 1 x Full-length bracket
- 1 x Low-profile bracket
- 1 x Metal plate
- 2 x Small screws
- 2 x Big screws
- 1 x PCIE-NVME1 card or PCIE-NVME2 card

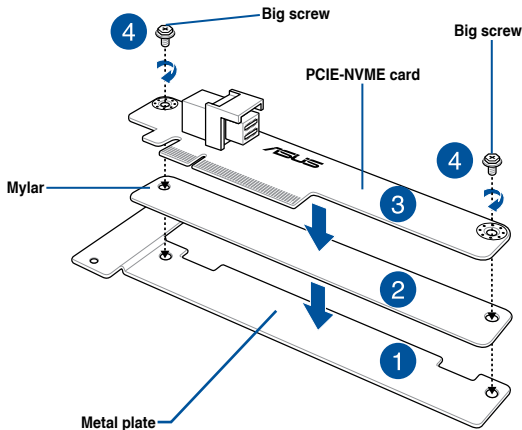


If any of the above items is damaged or missing, contact your retailer.

Card installation

To install the PCIE-NVME card:

1. Place the metal plate on a flat surface.
2. Place the mylar over the metal plate. Ensure that the screw holes on the mylar matches the screw holes of the metal plate
3. Place the PCIE-NVME card over the mylar. Ensure that the screw holes on the PCIE-NVME card matches the screw holes of the metal plate and the mylar.
4. Secure two big screws on both ends of the PCIE-NVME card.



5. Align and insert the PCIe-NVME card assembly into the mounting hole of the card bracket. Ensure that the screw holes on the PCIe-NVME card assembly matches the screw holes of the card bracket.



The PCIe-NVME card is bundled with a full-length bracket and a low-profile bracket. Ensure to select an appropriate card bracket for your system.

6. Secure two small screws to secure the PCIe-NVME card assembly to the card bracket.

